

# HDMI EXTENDER VIA ONE CAT6/7

Extend an HDMI LCD display monitor up to 200 feet away from the source.



## XTENDEX® ST-C5HDMI-150 Local and Remote Units

### Features & Applications

The XTENDEX® HDMI Extender transmits digital video and audio signals up to 200 feet from an HDMI source. Each video extender consists of a local unit that connects to an HDMI source (Blu-Ray player, satellite receiver, etc.), and a remote unit that connects to an HDMI display. The local and remote units are interconnected via one CAT6/7 solid cable.

Optional daisy-chain receivers allow you to extend one video source to multiple displays and to reach longer distances. The daisy-chain receivers are available in one-output and three-output options.

- Transmits an uncompressed HDMI signal over one CAT6/7 cable.
- Supports HDTV resolutions up to 1080p and computer resolutions up to 1920x1200.
- Compliant with HDMI 1.2 and HDCP 1.1 standards.
- Supports the DDC2B protocol.
- Only one power supply is necessary to power both the local and remote units.

### Specifications

#### Local Unit (Transmitter)

- One female HDMI-A port for source connection.
- One female RJ45 port for sending high definition video/audio signals and DDC signal.
- Signal type: HDMI 1.2, HDCP 1.1 compliant.

#### Remote Unit (Receiver)

- One female HDMI-A port for display.
- One female RJ45 port for receiving high definition video/audio signals and DDC signal.
- Supports HDTV resolutions up to 1080p and computer resolutions up to 1920x1200.
- Maximum extension is 200 feet using CAT7 solid 600 MHz STP cable, and 150 feet using CAT6 solid 550 MHz cable.

#### Optional Daisy-Chain Remote Unit (Receiver)

- One-output and three-output models available.
- Enables a daisy chain of five receivers at 1080p / eight receivers at 1080i/720p.
  - The three-output receiver supports three displays for a total of 15 displays at 1080p and 24 displays at 1080i.
- ST-C5HDMI-RD-150: one female HDMI-A port for HDTV or computer display.
- ST-C5HDMI-RD3-150: three female HDMI-A ports for HDTVs or computer displays.
- One female RJ45 port for receiving high definition video/audio signals and DDC signal.
- One female RJ45 port for sending high definition video/audio signals and DDC signal.
- Only every third receiver in daisy-chain needs power supply.
- Maximum extension is 150 feet using CAT7 solid 600 MHz STP cable or CAT6 solid 550 MHz cable.

#### Power

- Local unit: 100 or 240 VAC at 50 or 60 Hz via AC adapter (included).
- Remote unit: powered from local unit via CAT6/7 solid cable.
- Power Consumption: Local unit: 6W; Remote unit: powered from local unit.

#### Environmental

- Operating temperature: 5°F to 122°F (-15°C to 50°C).
- Storage temperature: -40°F to 185°F (-40°C to 85°C).
- Operating Relative Humidity: 0% to 90% non-condensing RH.
- Storage Relative Humidity: 0% to 80% non-condensing RH.

#### Dimensions WxDxH (in)

- ST-C5HDMI-150: 2.5x2.8x0.9 (local and remote unit)
- ST-C5HDMI-RD-150: 3.9x3.2x1.4
- ST-C5HDMI-RD3-150: 5x4.7x1.4

#### Regulatory Approvals

- RoHS, CE, FCC

#### Warranty

- Two years.



# HDMI EXTENDER VIA ONE CAT6/7

Extend an HDMI LCD display monitor up to 200 feet away from the source.

## Cables

- Use HDMI-xx-MM cable to connect an HDMI source or display.
- CAT6 UTP solid 550 MHz or better cable with TIA/EIA-568B wiring terminated with standard RJ45 connectors is recommended for 1080p applications (not included).
  - Extension distances will vary with the resolution and quality of the cable used.

## HDMI Extender Models

NTI Part #	Description
ST-C5HDMI-150	HDMI Transmitter and Receiver
ST-C5HDMI-RD-150	One Output HDMI Daisy Chain Receiver
ST-C5HDMI-RD3-150	Three Output HDMI Daisy Chain Receiver

## Distances and Resolutions for CAT6 Cable

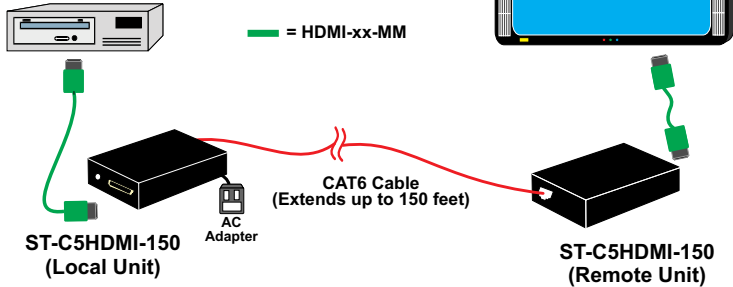
Receiver	Cable	Distance (ft)	Maximum HDTV Resolution
ST-C5HDMI-150	CAT6	150	1080p
ST-C5HDMI-150	CAT7	200	1080p

## Configuration and Cable Illustration

### HDMI Extender

Remote HDTV with HDMI Input

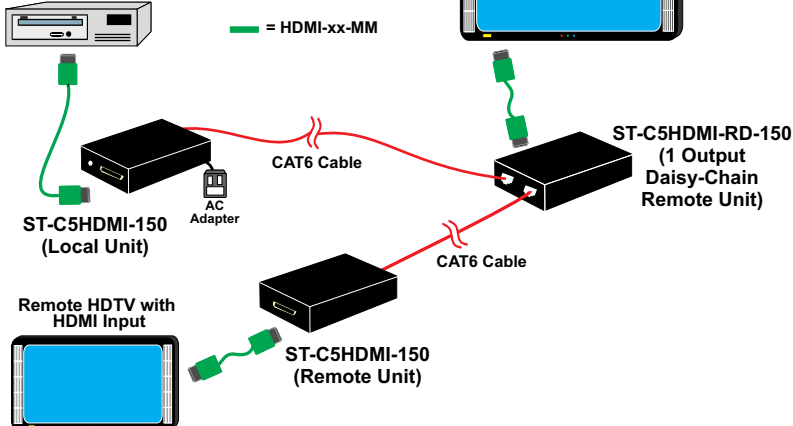
Local Set-Top Box with HDMI Output



### HDMI Extender + One-Output Daisy-Chain Receiver

Remote HDTV with HDMI Input

Local Set-Top Box with HDMI Output



330.562.1999  
Worldwide fax



sales@ntigo.com



www.networktechinc.com

© 2009 NTI  
All rights reserved